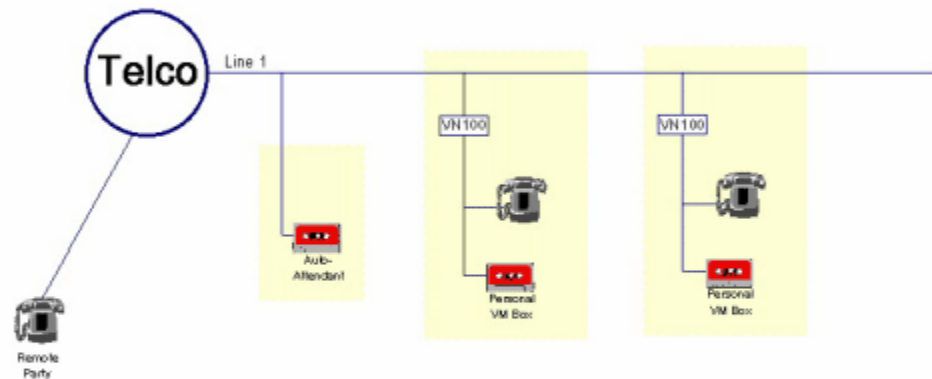


## Technical Support Diagrams for TriVox set-up

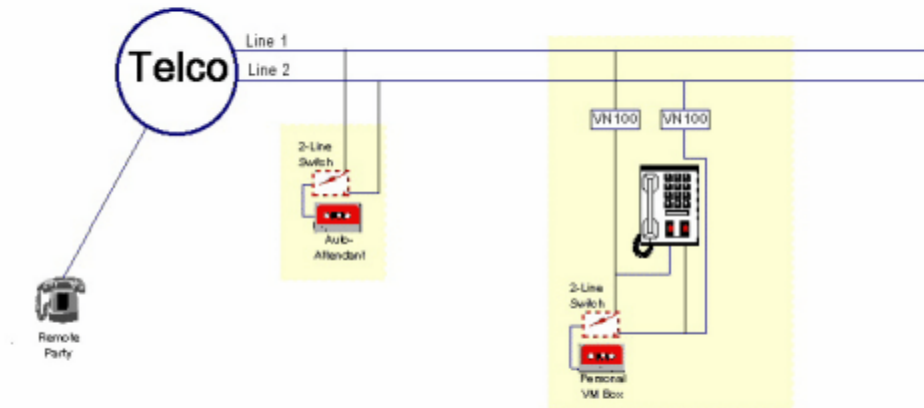
### Basic TriVOX2 Installation (1-Line Service)



#### Notes:

1. "Auto Attendant" or "Personal VM Box": Telephone Answering Device (TAD) with "Extension Interrupt" feature

## Basic TriVOX2 Installation (2-Line Service)

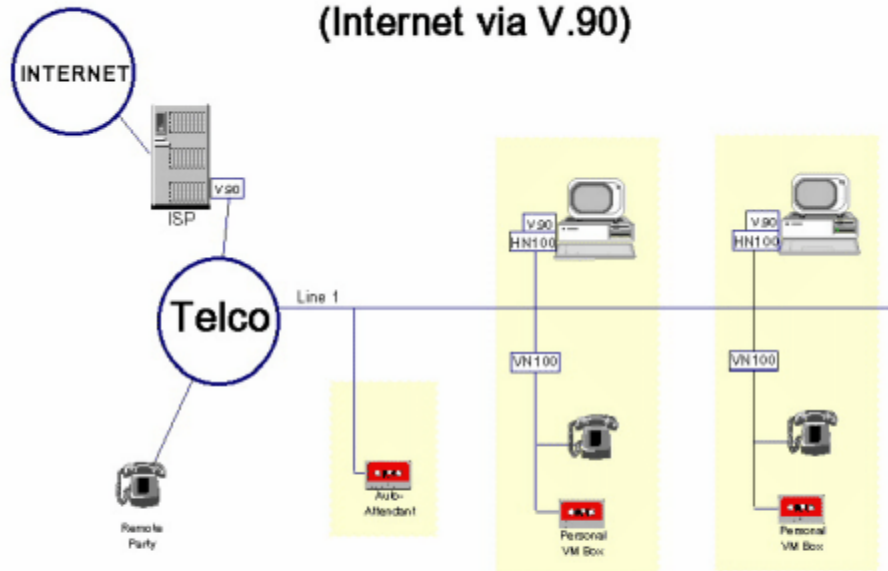


### Notes:

1. "Auto Attendant" or "Personal VM Box": Telephone Answering Device (TAD) with "Extension Interrupt" feature
2. "2-Line Switch": Radio Shack 43-1383 or equivalent

### Technical Support Diagrams for TriNet set-up

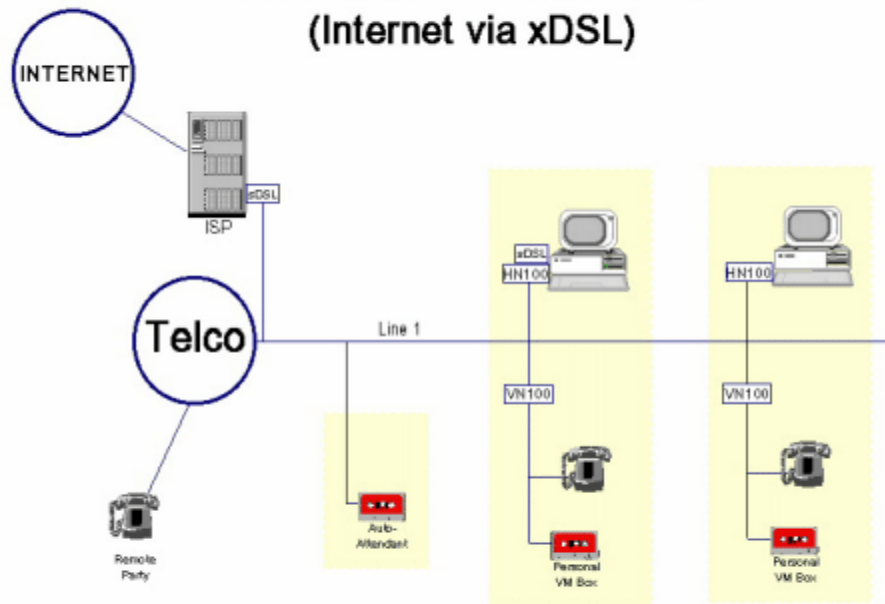
## Basic TriNET2 Installation (Internet via V.90)



### Notes:

1. "Auto Attendant" or "Personal VM Box": Telephone Answering Device (TAD)  
with "Extension Interrupt" feature
2. Time share the line between ISP Access & Voice Applications

## Basic TriNET2 Installation (Internet via xDSL)



### Notes:

1. "Auto Attendant" or "Personal VM Box": Telephone Answering Device (TAD) with "Extension Interrupt" feature